

# MAGNUM 610

Reliability Defined



The Magnum 610 was designed with the help of end users to meet the needs of chemical recirculation applications with moderate flow rates. It's a simple, compact design that utilizes few moving parts for improved serviceability. This is a highly reliable pump due in part to our patented non-stall air logic design.

*This is PURE INNOVATION.*



**MAX FLOW**  
9.5 GPM (36 LPM)



**MAX TEMPERATURE**  
100 °C (212 °F)



**MAX PRESSURE**  
60 PSIG (4.1 BAR)



**CERTIFICATIONS**  
CE

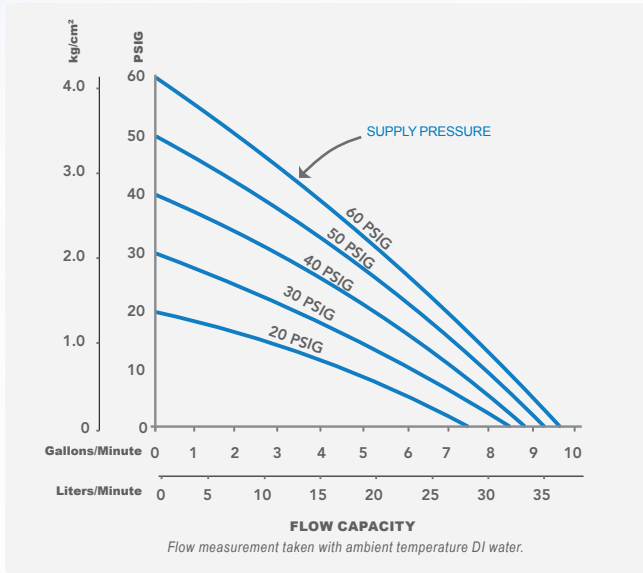
**TREBOR**

Trebor International | North/South America +1 800 669 1303 | Europe +49 1801 808 800 | Asia +86 10 6566 9090

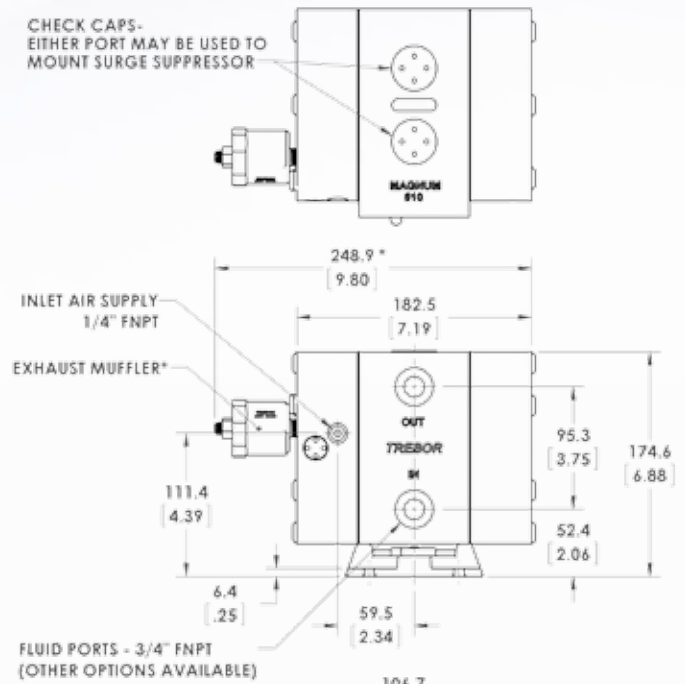
[www.treborintl.com](http://www.treborintl.com)

A Unit of IDEX Corporation

**FLOW PERFORMANCE**

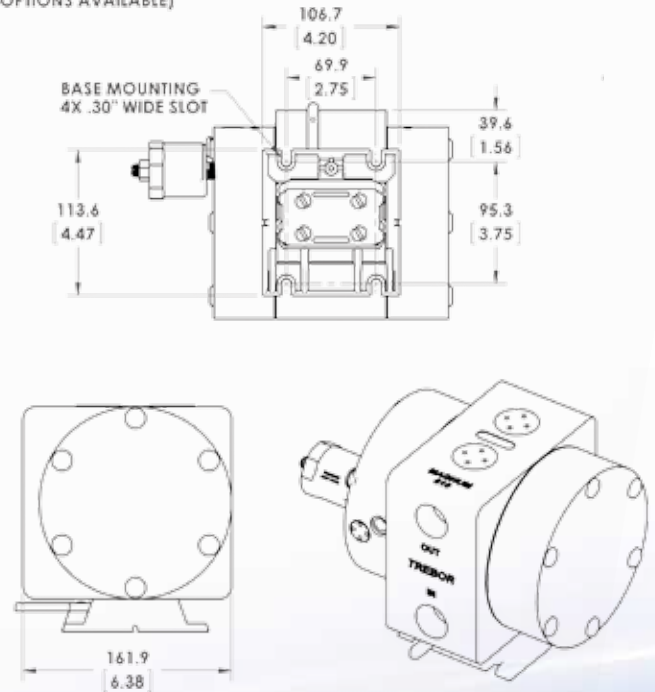


**DIMENSIONS IN MILLIMETERS (IN.)**



**PUMP OPTIONS**

PUMP	610R	Magnum 610 Recirculation Pump
	610E	Magnum 610 External Control Pump
	610NM	Magnum 610 Non-Metallic Pump
PIPING CONNECTION	000	3/4" NPT-Without Fluid Port Fittings
	F08	1/2" Flare Tube Adapter
	F12	3/4" Flare Tube Adapter
	T12	3/4" PFA Tube Stub-Out
SURGE SUPPRESSOR	00	No Surge Suppressor
	85	Model 85 Surge Suppressor – Pump Mounted
	95	Model 85 Surge Suppressor – Pump Mounted
OPTIONS	A0	No Option
	A1	Cycle Probe. Requires monitoring device
	A2	Quick Change Base
	A4	Leak Probes
	A6	Remote Exhaust



\* Exhaust muffler may be located remotely for space considerations

Example of an order number based on configuration options:

610R F12 85 A6